



Description

BL01 is an innovative bollard light which enhance the aesthetic and creative of city in IP66 , thanks to its architectural design and UV resistant PC material to accommodate the demands of different areas in pathway, gardens, sidewalks, building entrance and etc.

Key Features

- IP66 and IK10
- Unique and gorgeous appearance
- Visor is available as accessory
- Professional Type V light distribution
- Dark Sky Approved when set to 3000K

Electrical Information	
Model No.	BL01-22WS
Power Consumption(W)	22/16.5/11/6.6 (Selectable)
Power Supply	Done
Input Voltage	120-277 VAC , 50 / 60 Hz
Power Factor	>0.9
Surge Protection	6kV line-line, 15kV line-earth
Driver Type	Constant Current (CC)
Control	1-10V dimmable
Note	NA

* The tolerance for power is ±10%.

Optic Information	
LED Type	LED 3030
Luminous Flux (lm)	2530
Efficacy (lm/W) (4000K Ra70)	115
Correlated Color Temperature (K)	3000, 4000, 5000(Selectable)
Color Rendering Index	Ra70 (Ra80 optional)
Beam Angle	R03203 (Type V)
UGR level	NA

* The tolerance for luminous flux is ±10%.

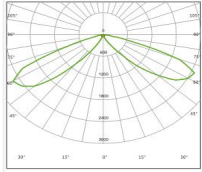
Dimensions and Mount	
Product Dimension(mm/inch)	19.69 inch: Φ165×500 (Φ6.5"×19.69")
	42 inch: Φ165×1067 (Φ6.5"×42")
Luminaire Net Weight(kg/Lbs)	19.69 inch: 4.8 (10.57)
	42 inch:7.1 (15.64)
Export Carton Size (All-in-one package)(mm/inch)	Lamp 19.69 inch: 655x210x215 (25.79"×8.27"×8.46")
	Lamp 42 inch: 1230x210x215 (48.43"×8.27"×8.46")
Gross Weight (All-in-one package)(kg/Lbs)	Lamp 19.69 inch: 5.5 (12.11)
	Lamp 42 inch: 8.1 (17.84)
Export Carton Size (Separated package)(mm/inch)	Lamp body: 360 x 210 x215 (14.17"×8.27"×8.46")
	Lamp holder 19.69 inch: 505x210x215 (19.88"×8.27"×8.46")
	Lamp holder 42 inch: 1075x210x215 (42.32"×8.27"×8.46")
Gross Weight (Separated package)(kg/Lbs)	Lamp body: 3 (6.61)
	Lamp holder 19.69 inch: 2.94 (6.48)
	Lamp holder 42 inch: 5.44 (11.99)
Mounting Option	Mounting kit with anchor bolts
Material	Aluminum alloy
	Polycarbonate optical Lens
Finish	Powder coating
Fixture Color	Black (RAL 9017)
EPA	NA
IK Rating	IK10
IP Rating	IP66
Category of corrosion	C3

* The tolerance for weight is ±6%.

Lifespan and Warranty	
Operating Temperature(°C/°F)	-30 to +45 (-22 to +113)
Life Time of LED @Ta=25°C(hours)	L90-57,000
	L80-150,000
	L70-236,000
Warranty(Years)	5

Photometry

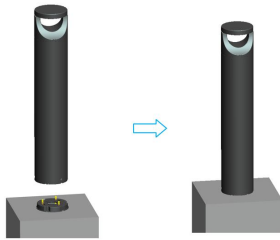
22W beam angle



R03203

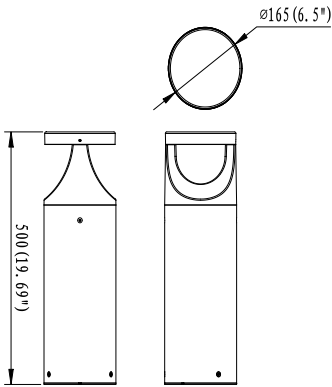
Mounting Options

Mounting kit with anchor bolts

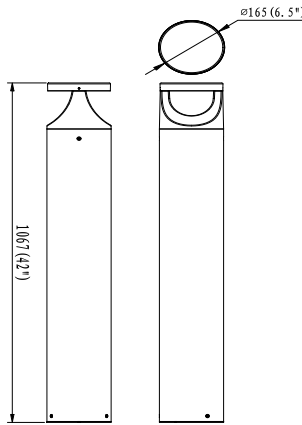


Dimensions

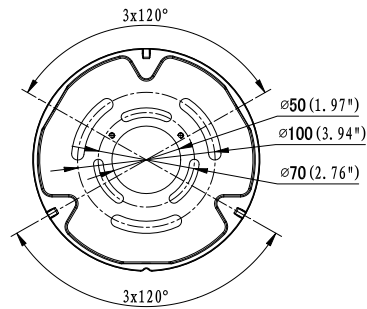
19.69 inch 22W



42 inch 22W



Base plate templates



Unit:mm/inch

Accessories



Round House Side Shield

To reduce glare light

Code: BL01-135



Terminal Box

Code: CK-B01-01



Backfilled Anchor

Q235 +SPCC, hot dip galvanizing
Φ130x508mm.

Code: MT-B01-02



TERMINAL BLOCK WITH RACKET

For connecting wires, the height of the bracket is 6inch, suitable for 19.69inch lamps



TERMINAL BLOCK WITH BRACKET

For connecting wires, the height of the bracket is 12inch, suitable for 42inch lamps

Code: CN-B01-02