



Specifications - CP02 LED Garage Light

Version: 3.7



Electrical Information					
Model No.	CP02-25WS	CP02-40WS	CP02-60WS	CP02-80WS	CP02-100WS
Power Consumption(W)	25/19/13/7.5 (Selectable)	40/30/20/12 (Selectable)	60/45/30/18 (Selectable)	80/60/40/24 (Selectable)	100/75/50/30 (Selectable)
Power Supply	Lifud/Becky				
Input Voltage	120-277 Vac, 120-347Vac, 50 / 60 Hz				
Power Factor	>0.9				
Surge Protection	4kV line-line, 6kV line-earth				
Driver Type	Constant current (CC)				
Control	Dimmable, Microwave sensor, PIR sensor, 8W1.5H emergency backup optional				
Note	NA				

* The tolerance for power is ±5%.

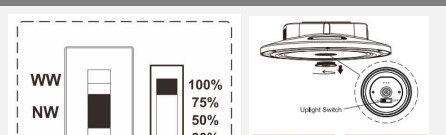
Optic Information					
LED Type	LED 2835				
Luminous Flux@4000K Ra70 (lm)	4125	6600	9900	13200	16500
Efficacy@3000K Ra70(lm/W)	150				
Efficacy@4000K Ra70(lm/W)	165				
Efficacy@5000K Ra70(lm/W)	155				
Correlated Color Temperature	CCT (3000K, 4000K, 5000K)				
Color Rendering Index	Ra70 (Ra80 optional)				
Beam Angle	U00C09 (Type V)			U00C07 (Type V)	
UGR level	NA				

* The tolerance for luminous flux is ±10%.

Dimensions and Mount		
Product Dimension (mm/inch)	φ272x78/φ10.7x3	φ322x84/φ12.7x3.3
Luminaire Net Weight (kg/lbs)	2.1/4.63	2.6/5.73
Export Carton Size (mm/inch)	330x330x130/13x13x5.12	375x375x140/14.76x14.76x5.51
Gross Weight (kg/lbs)	2.8/6.1	3.8/8.4
Mounting Option	Surface mounting, Conduit mounting, Junction Box With 3/4 NPT	
Material	Aluminum alloy Polycarbonate optical lens	
Finish	Powder coating	
Fixture Color	White (RAL9016)	
EPA	NA	
IK Rating	IK08	
IP Rating	IP65	
Category of corrosion	C3	

* The tolerance for weight is ±6%.

Lifespan and Warranty		
Operating Temperature(°C/°F)	-30 to + 50 / (-22 to +122)	-30 to + 45 / (-22 to +113)
Operating Temperature of Emergency Solution(°C/°F)	0 to + 40 / (32 to +104)	
Lifespan of LED @Ta=25°C(hours)	L80-91000 L70-153000	
Warranty (years)	5	

New Features	
<ul style="list-style-type: none"> • 3 CCT available. • Power selectable, available for 30%, 50%, 75% and 100%. • External emergency back up optional. • Up light switch as standard. • PIR / microwave sensor only work for lighting fixture with 100% 	

Description

Terse design of appearance, simple and light structure, more in line with the modern aesthetic. Uplight is a standard design feature, which eliminates the "cave effect" often caused by traditional parking garage light, making them ideal for applications that require more attention to the ambiance.

Key Features

- ADC12 die-casting aluminum, which has excellent heat dissipation effect.
- High output efficiency up to 165lm/W.
- PIR/microwave sensor are optional.
- 3CCT & 4 power adjustable.
- Up light switch as standard.
- The uplight flux accounts for 5%-10% of the total fixture light flux.
- Emergency backup available.
- 3/4"NPT mount and ceiling mount are available.
- IP65 &IK08.

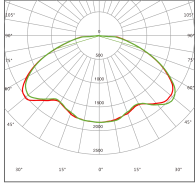
Applications

- Indoor parking area
- Garage
- Basement

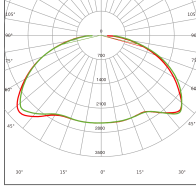
Photometry

25W/40W/60W beam angle

80W/100W beam angle



U00C09



U00C07

Mounting Options



Surface mounting



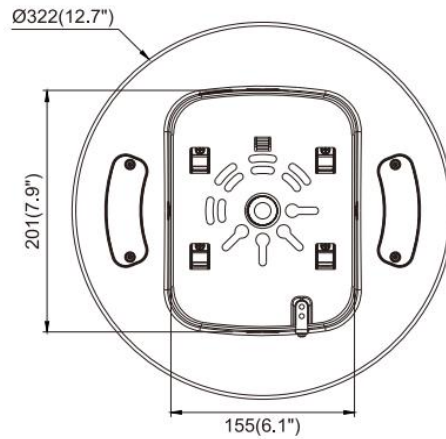
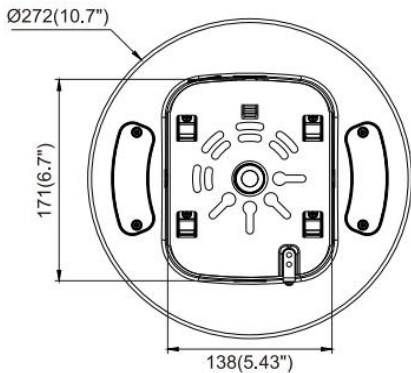
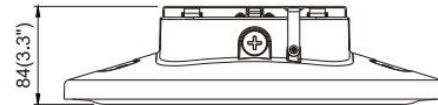
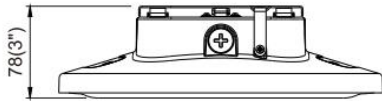
Conduit mounting



Junction Box With 3/4 NPT

Dimensions

Unit:mm/inch



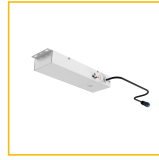
Accessories



Motion sensor
PC
Φ52*20mm
Code: SR-H30-01



PIR sensor
PC
Φ61*28mm
Code: HN074-01VRPH



Emergency kit
SPCC
8W1.5H emergency backup
Operating Voltage: 120-277V
IP Rating:IP20
Code: EM-C02-01



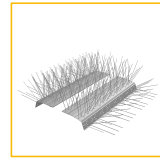
Emergency kit
SPCC
8W1.5H emergency backup
Operating Voltage: 120-347V
IP Rating:IP20
Code: EM-C02-02



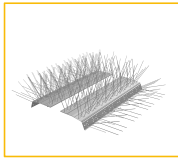
Visor for CP02 (big)
AL1060
Code: CP02-L161



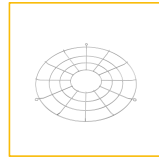
Visor for CP02 (small)
AL1060
Code: CP02-L135



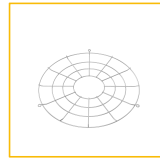
Bird Spikes for CP02 (big)
SPCC
Code: BS-C02-01



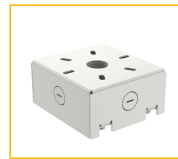
Bird Spikes for CP02 (small)
SPCC
Code: BS-C02-02



Protective wire mesh for Cp02 (big)
SUS304
Code: BS-C02-03



Protective wire mesh for Cp02 (small)
SUS304
Code: BS-C02-04



Juntion Box With 3/4 NPT
SPCC
Code: BC-C02-05