



<b>Model No.</b>	FL47-300/T	FL47-480/T	FL47-600/T
<b>Power Consumption (±10%)</b>	300W	480W	600W
<b>Power Supply</b>	SOSEN		
<b>Input Voltage</b>	120-277V AC		
<b>Power Factor</b>	>0.90		
<b>Surge Protection</b>	4kV line-line, 4kV line-earth		6kV line-line, 10kV line-earth
<b>Driver Type</b>	Constant current (CC)		
<b>Control</b>	0-10V		

<b>Optic Information</b>			
<b>LED Type</b>	LED 3535(12°) /LED 5050(30°, 55°)		
<b>Luminous Flux (±10%)</b>	42000lm(12°)/48000lm(30°, 55°)	62400lm(12°)/76800lm(30°, 55°)	78000lm(12°)/96000lm(30°, 55°)
<b>Efficacy (5000K Ra70)</b>	140lm/W(12°)/160lm/W(30°, 55°)	130lm/W(12°)/160lm/W(30°, 55°)	
<b>Correlated Color Temperature</b>	5000K(3000K, 4000K optional)		
<b>Color Rendering Index</b>	Ra70(Ra80 optional)		
<b>Beam Angle</b>	F31301, F32701, F32702		

**Description**

FL47 LED Light is the right replacement for 1000W and 2000W HID, up to 96000lm. As a high bay, it is the the brightness one in the world. As a flood light, it can make full use of lights and avoid lighting pollution with the visor.

**Key Features**

- IP66 & IK08 double protection
- Superior temperature stability
- Multiple light distributions for different project needs
- Compatible with different intelligent control modes

**Applications**

- High ceiling application
- Large equipment factory
- Exhibition center
- Stadium hangar
- Airport

**Dimensions and Mount**

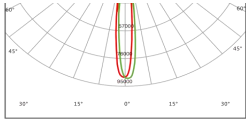
<b>Product Dimension</b>	φ450x213mm (φ17.70" x 8.37")	φ450x230mm (φ17.70" x 9.05")	φ450x260mm (φ17.70" x 10.22")
<b>Net Weight(±0.3kg/0.66Lbs)</b>	9.2kg (20.28Lbs)	10.6kg (23.37Lbs)	12.9kg (28.44Lbs)
<b>Export Carton Size</b>	540x540x290mm (21.26" x21.26" x11.42")	540x540x290mm (21.26" x21.26" x11.42")	540x540x320mm (21.26" x21.26" x12.60")
<b>Gross Weight(±0.3kg/0.66Lbs)</b>	10.8kg (23.81Lbs)	12.2kg (26.89Lbs)	14.6kg (32.19Lbs)
<b>Mounting Option</b>	Loop hanging, Ceiling mounting		
<b>Material</b>	Aluminum alloy Polycarbonate optical lens		
<b>Finish</b>	Powder coating		
<b>Fixture Color</b>	Black (RAL9017)		
<b>EPA</b>	NA		
<b>IK Rating</b>	IK08		
<b>IP Rating</b>	IP66		
<b>Category of corrosion</b>	C3		

**Lifespan and Warranty**

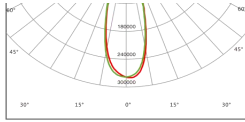
<b>Operating Temperature</b>	-30°C to + 50°C(-22°F to 122°F)		-30°C to + 45°C(-22°F to 113°F)
<b>Life Time of LED @Ta=25°C (LED 3535/LED 5050)</b>	<b>L90</b>	146000hrs/36000hrs	146000hrs/26000hrs
	<b>L80</b>	310000hrs/76000hrs	310000hrs/54000hrs
	<b>L70</b>	495000hrs/120000hrs	495000hrs/86000hrs
<b>Warranty</b>	5 years		

**New Features**

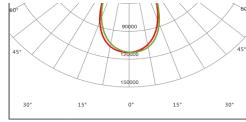
*\* Please consult us for details.*



F31301(12°)



F32701(30°)



F32702(55°)

Mounting Options



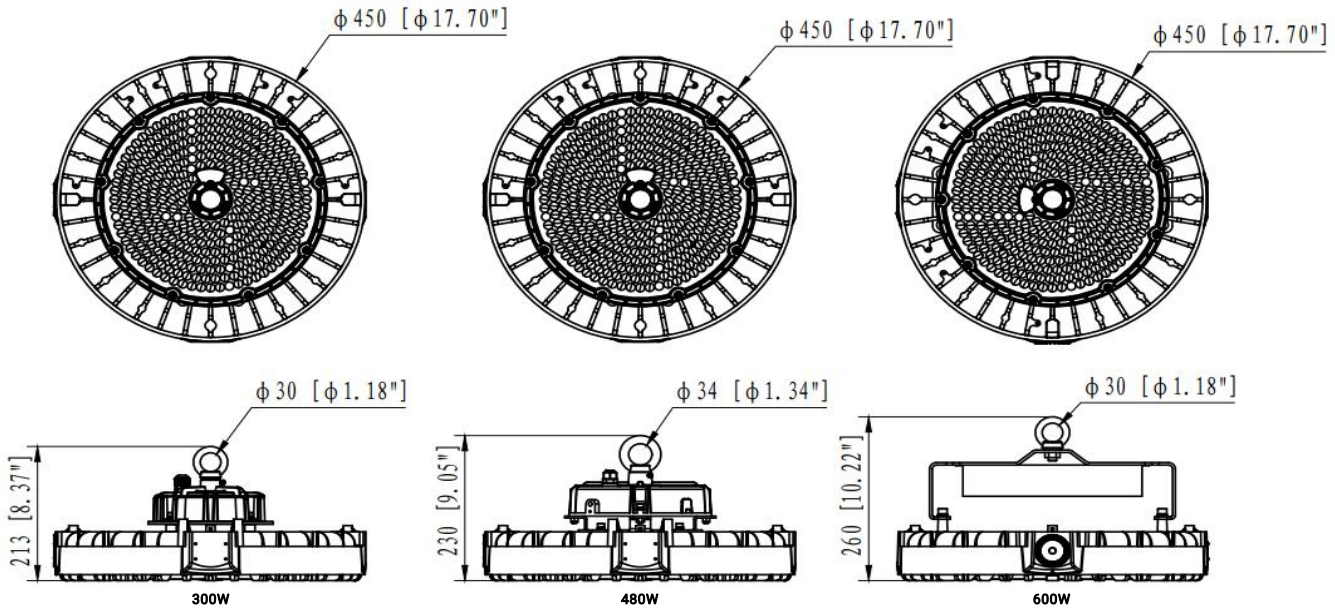
Loop Hanging



Ceiling Mounting

Dimensions

Unit:mm/Inch



Accessories



PC LENS

High transmittance PC materials,  
UV test approval.  
 $\phi 339 \times 17.5\text{mm}$

Code:  
F31301/F32701/F32702



Ceiling mount bracket

SPCC with hot-dip galvanizi.  
466.5\*70\*310mm

Code:  
BC-F47-01