

AGC lighting



Description

To reduce SKU and save cash flow, WP19 is designed to be CCT/power selectable with built-in photocell and EM backup as optional. Additionally, WP19 combines full cut-off wall pack and semi cut-off wall pack into one body. Clients could buy front part to swap either full cut-off or semi cut-off wall pack.

Key Features

- Fixture could swap into either full cut-off or semi cut-off wall pack to reduce SKU further.
- 160 LPW @4000K 70Ra.
- 3CCT and power select as standard.
- IP66 and IK08(Full Cut-off).
- Built-in photocell and EM Backup as option.
- Tempered glass cover for semi cut-off version, and PC lens for full cut-off version.

Applications

- Public Areas
- Schools



Suffix	3 Power selectable	3 CCT selectable	0-10V dimmable	Photocell	Emergency
WS	✓				
3CS		✓			
EM					✓
D			✓		
PC				✓	

GENERAL INFORMATION

Housing materials	Aluminum alloy
Housing finish	Powder coating
Optic materials	Polycarbonate
Fixture color	Bronze(RAL8019)
Electrical class	Class I
CCT selection DIP switch	Yes
Power selection DIP switch	Yes
Emergency	Optional
Sensor	NO
Light source SDCM	<5
Impact resistance	Semi Cut-off: —/Full Cut-off: IK08
Ingress protection	IP66
Category of corrosion	C3(ISO 9223:2012)
Certification	ETL/DLC
Warranty(years)	5

ON/OFF & 0-10V

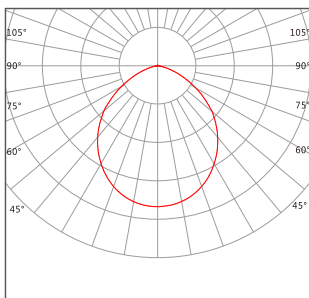
Code		WP19-80WS-3CS		WP19-120WS-3CS	
Nominal wattage(W)		80 Max.(60/40 optional)		120 Max.(100/80 optional)	
Driver type		Constant current(CC)			
Control		0-10V/Photocell			
Nominal input voltage(V)		120-277 Vac/120-347 Vac, 50 / 60 Hz			
Power factor(at full load)		>0.9			
Flicker factor		<1%			
THD		<15%@120-277 V/<20%@120-347 V			
Surge protection		6KV L-L, 6KV L-E			
Light source		LED2835			
Color rendering index		Ra70			
General luminous efficacy(lm/W)		160lm/W@4000K Ra70			
Color temperature(K)		3-CCT: 3000K+4000K+5000K			
Luminous flux (lm) ±10% Ra70	3-CCT	80W: 11500-15000 60W: 8500-11000 40W: 5800-7500	80W: 11000-14200 60W: 8100-10500 40W: 5500- 7100	120W:17500-22500 100W: 14000-18500 80W: 11500-14500	120W:16000-21000 100W: 13000-17000 80W: 10500-14000
Beam angle		U00604	U00A20	U00603	U00A19
UGR		-			
Operating temperature(°C/°F)		-30 to +50(-22 to +122)			
Lifespan of LED @Ta=25°C(hrs)		50,000-L90B50			
		104,000-L80B50			
		166,000-L70B50			

OPTICS

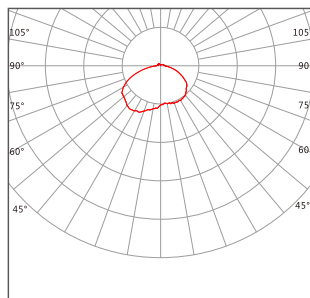
80W-120W

Recommended beam angle

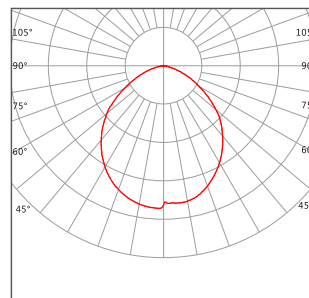
80W Full Cut-off



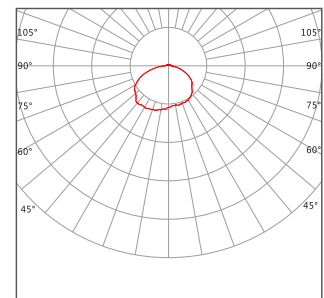
80W Semi Cut-off

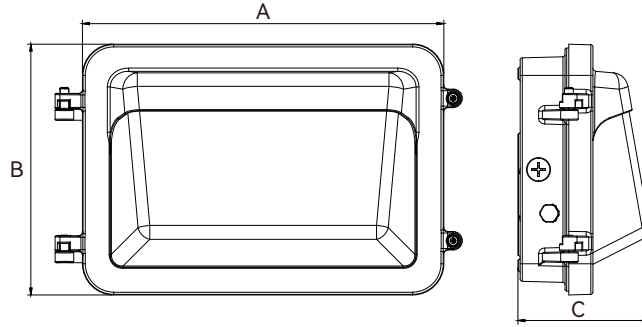


120W Full Cut-off

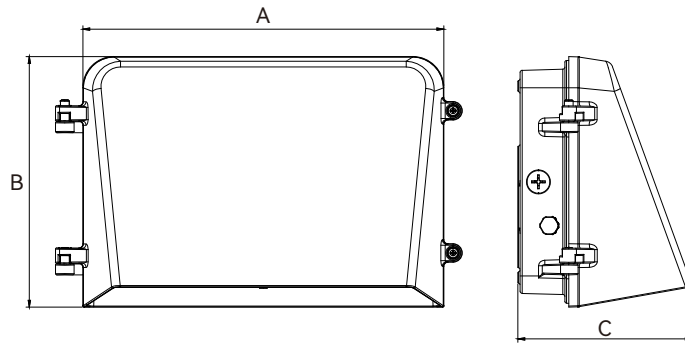


120W Semi Cut-off

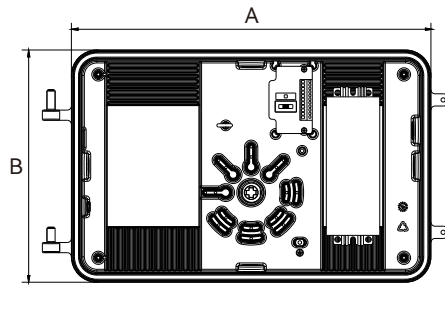




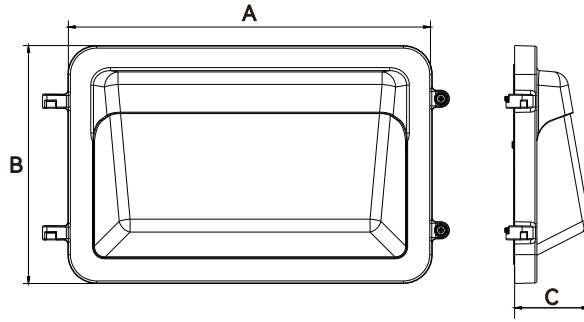
Product code	Luminaire dimensions AxBxC(mm/inch)	Product weight(kg/lbs) ±6%		Package weight(kg /lbs) ±6%		Carton size (mm/inch)	Qty/ CTN
		N.W/PC	G.W/PC	N.W/CTN	G.W/CTN		
WP19-80WS-3CS	330x229x120 (12.99"x9.01"x4.72")	4.18(9.21)	-	-	4.72(10.41)	400x285x175 (15.75"x11.22"x6.89")	1
WP19-120WS-3CS	360x235x120 (14.17"x9.25"x4.72")	5.04(11.11)	-	-	5.58(12.31)	425x285x175 (16.73"x11.22"x6.89")	1



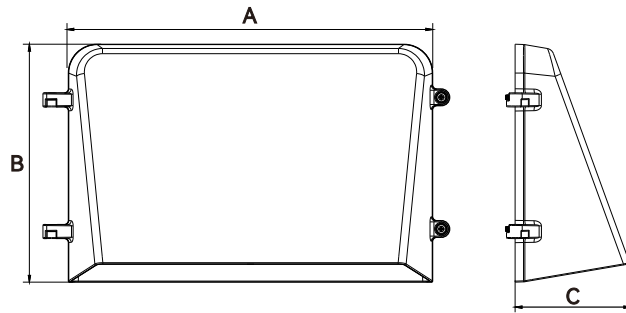
Product code	Luminaire dimensions AxBxC(mm/inch)	Product weight(kg/lbs) ±6%		Package weight(kg /lbs) ±6%		Carton size (mm/inch)	Qty/ CTN
		N.W/PC	G.W/PC	N.W/CTN	G.W/CTN		
WP19-80WS-3CS	330x229x159 (12.99"x9.01"x6.26")	3.08(6.79)	-	-	3.68(8.12)	400x285x215 (15.75"x11.22"x8.46")	1
WP19-120WS-3CS	360x235x159 (14.17"x9.25"x6.26")	3.62(7.98)	-	-	4.22(9.31)	425x285x215 (16.73"x11.22"x8.46")	1



Product code	Luminaire dimensions AxBxC(mm/inch)	Product weight(kg/lbs) ±6%		Package weight(kg /lbs) ±6%		Carton size (mm/inch)	Qty/ CTN
		N W/PC	G W/PC	N W/CTN	G W/CTN		

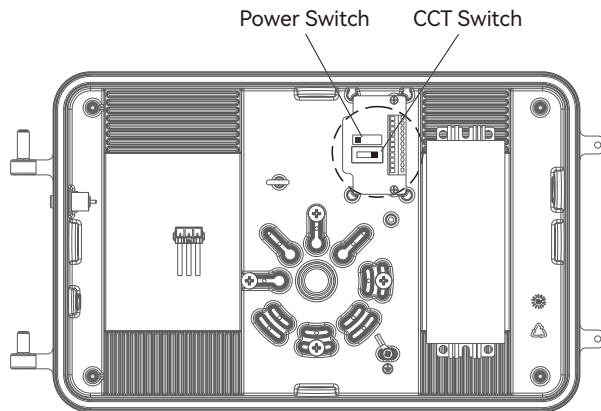


Product code	Luminaire dimensions AxBxC(mm/inch)	Product weight(kg/lbs) ±6%		Package weight(kg /lbs) ±6%		Carton size (mm/inch)	Qty/ CTN
		N.W/PC	G.W/PC	N.W/CTN	G.W/CTN		
Semi Cut-off Kit -80W	330x229x73.5 (12.99"x9.01"x2.89")	2.72(5.99)	-	-	3.16(6.96)	400x285x120 (15.74"x11.22"x4.72")	1
Semi Cut-off Kit -120W	360x235x73.5 (14.17"x9.25"x2.89")	3.28(7.23)	-	-	3.74(8.24)	425x285x120 (16.73"x11.22"x4.72")	1




Product code	Luminaire dimensions AxBxC(mm/inch)	Product weight(kg/lbs) ±6%		Package weight(kg /lbs) ±6%		Carton size (mm/inch)	Qty/ CTN
		N.W/PC	G.W/PC	N.W/CTN	G.W/CTN		
Full Cut-off Kit -80W	330x229x113 (12.99"x9.01"x4.44")	1.62(3.57)	-	-	2.14(4.72)	400x285x160 (15.74"x11.22"x6.3")	1
Full Cut-off Kit -120W	360x235x113 (14.17"x9.25"x4.44")	1.86(4.1)	-	-	2.4(5.29)	425x285x160 (16.73"x11.22"x6.3")	1

Factory set:
100% brightness, 5000K




Power Selectable



HIGH MID LOW

Power		
HIGH	MID	LOW
80W	60W	40W
120W	100W	80W

CCT Selectable



3000K 4000K 5000K

EMERGENCY

DATASHEET(EMERGENCY)

Input power	9W
Discharge power	9W
Rated input voltage	AC120-347V
Frequency	50/60Hz
Input voltage	AC120-347V
Rated input current	≤0.12A
Battery	6.4V 3200mAh(LifepO4)
Lifetime	50000 hours
Battery duration	≥1.5hrs
Charge period	≥24hrs
Emergency switching time	≤3S
Emergency operating temp.(°C/°F)	0 to +40(32 to +104)



AGC lighting

Light your way

, ,
, ,